



Duferco

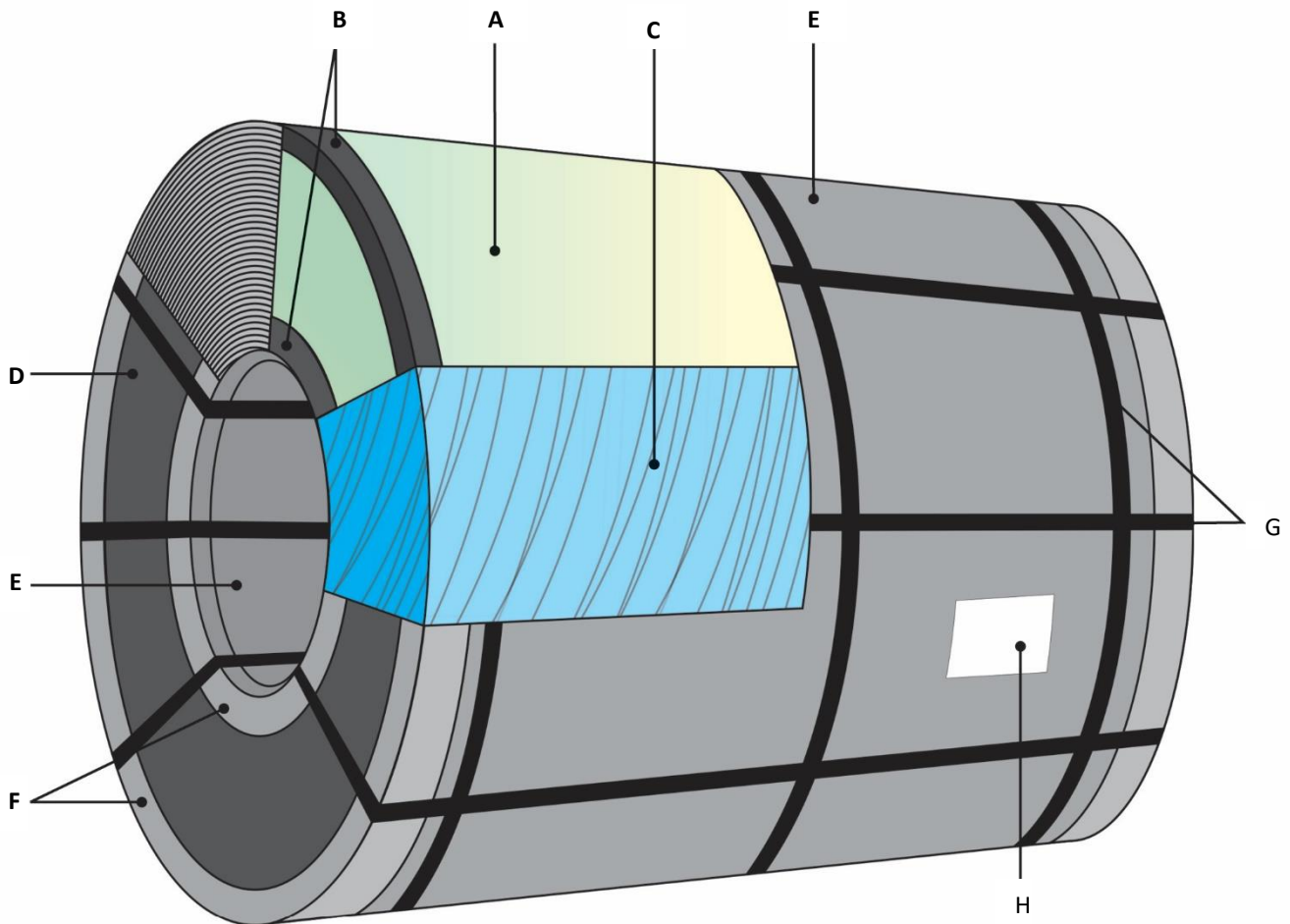
STEEL PROCESSING (PTY) LTD



PACKAGING CODES

Packaging specification: 01

ADVANCED PROTECTION SUITABLE FOR EXPORT (STEEL & PLASTIC ENVELOPE)



A. VCI Reinforced Paper

B. Edge Protection

C. Non VCI Stretch Film

D. Plastic Side Polo's

E. Galvanized ID & OD Sheet

F. Galvanized ID & OD edge protection

G. Plastic strapping (19mm)

x 3 circumferential strapping

x 4 eye straps for wall height < 200mm

x 5 eye straps for wall height \geq 200mm & mass < 15t

x 6 eye strap for coil \geq 15t

H. Information Label

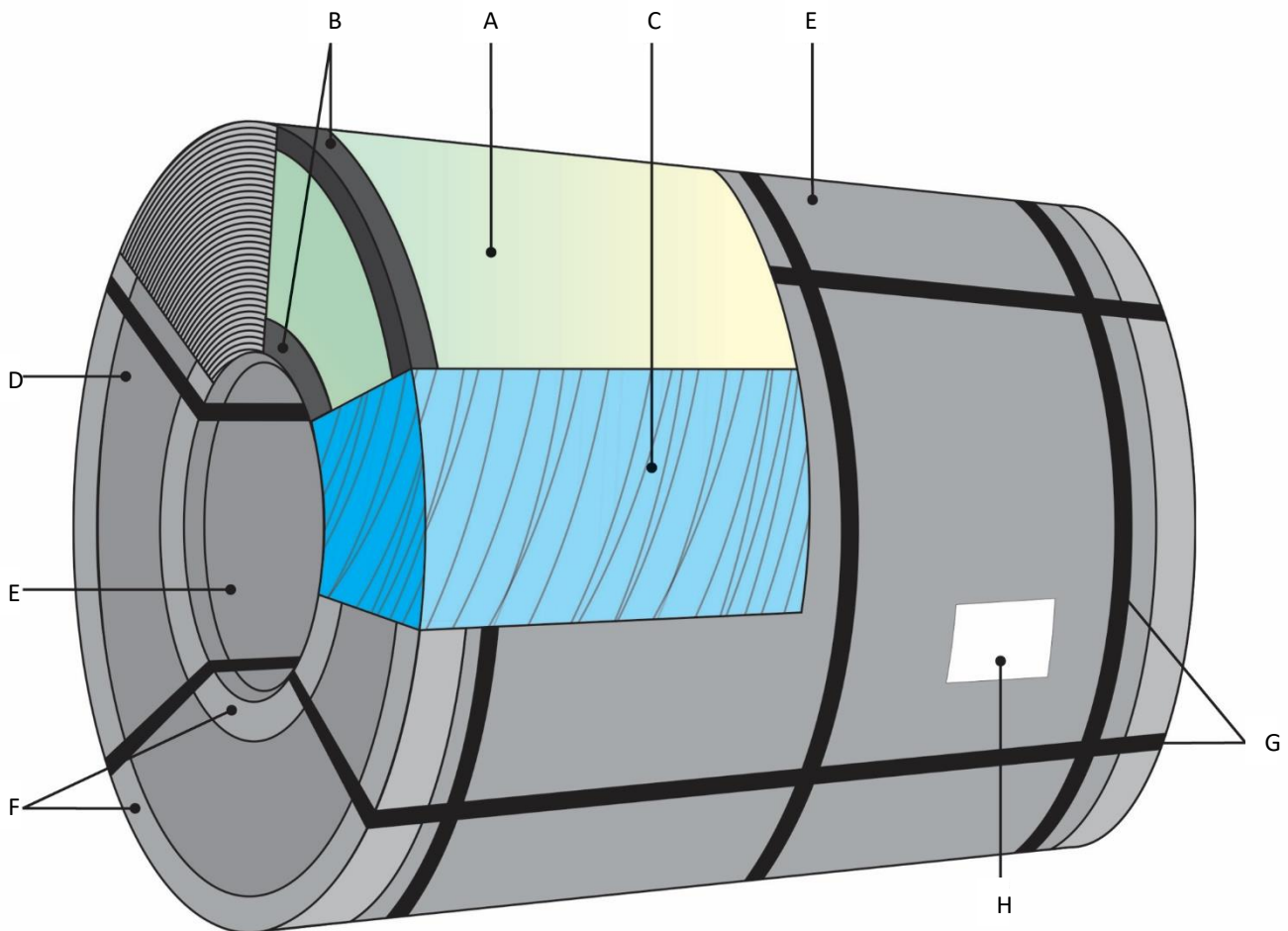
FOR MORE INFORMATION, CONTACT:

DUFERCO STEEL PROCESSING (PTY) LTD, 1 Potassium Street, Industrial Park, Saldanha 7395 • TELEPHONE: + 27 22 709 7000 • FAX: + 27 87

238 6675

Packaging specification: 02

IMPROVED ADVANCED PROTECTION SUITABLE FOR EXPORT (ALL STEEL ENVELOPE WITH INCREASED STRAPPING STRENGTH)



A. VCI Reinforced Paper

B. Edge Protection

C. Non VCI Stretch Film

D. Galvanized Side Polo's

E. Galvanized ID & OD Sheet

F. Galvanized ID & OD edge protection

G. Plastic strapping (25mm)

x 3 circumferential strapping

x 4 eye straps for wall height < 200mm

x 5 eye straps for wall height \geq 200mm & mass < 15t

x 6 eye strap for coil \geq 15t

H. Information Label

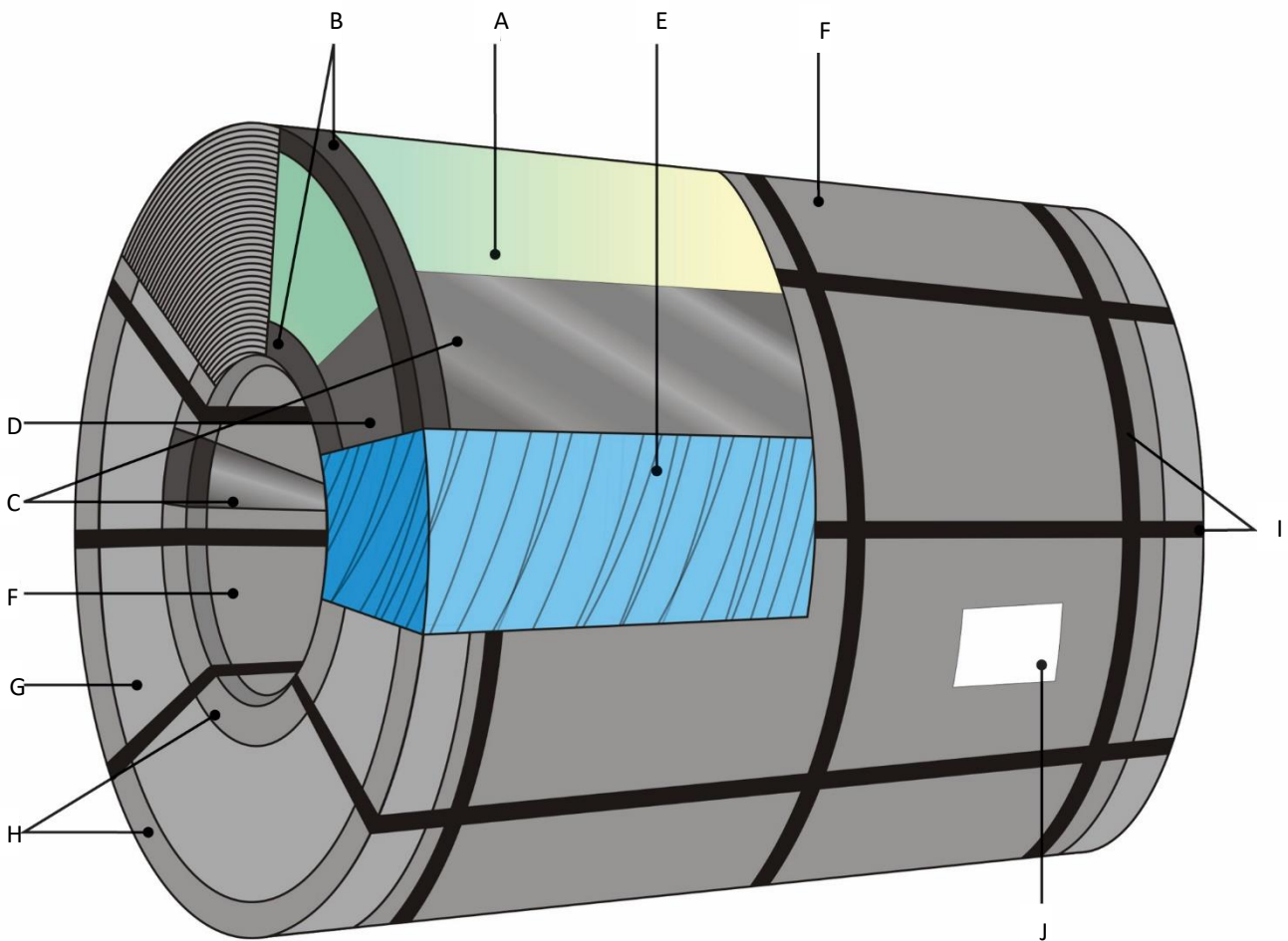
FOR MORE INFORMATION, CONTACT:

DUFERCO STEEL PROCESSING (PTY) LTD, 1 Potassium Street, Industrial Park, Saldanha 7395 • TELEPHONE: + 27 22 709 7000 • FAX: + 27 87

238 6675

Packaging specification: 06

IMPROVED ADVANCED PROTECTION SUITABLE FOR EXPORT (STEEL & PLASTIC ENVELOPE. FOR GAUGES < 0.35MM SURFACE CRITICAL MATERIAL)



A. VCI Reinforced Paper

B. Edge Protection

C. Plastic ID (x1) & OD (x2) Sheet

D. Plastic Side Polo's

E. Non VCI Stretch Film

F. Galvanized ID & OD Sheet

G. Galvanized Side Polo's

H. Galvanized (x2) ID & (x1) OD Edge Protection

I. Plastic Strapping (19mm)

x 3 Circumferential Strapping

x 4 Eye Straps For Wall Height < 200mm

x 5 Eye Straps For Wall Height \geq 200mm &

Mass < 15t

x 6 Eye Strap For Coil \geq 15t

J. Information Label

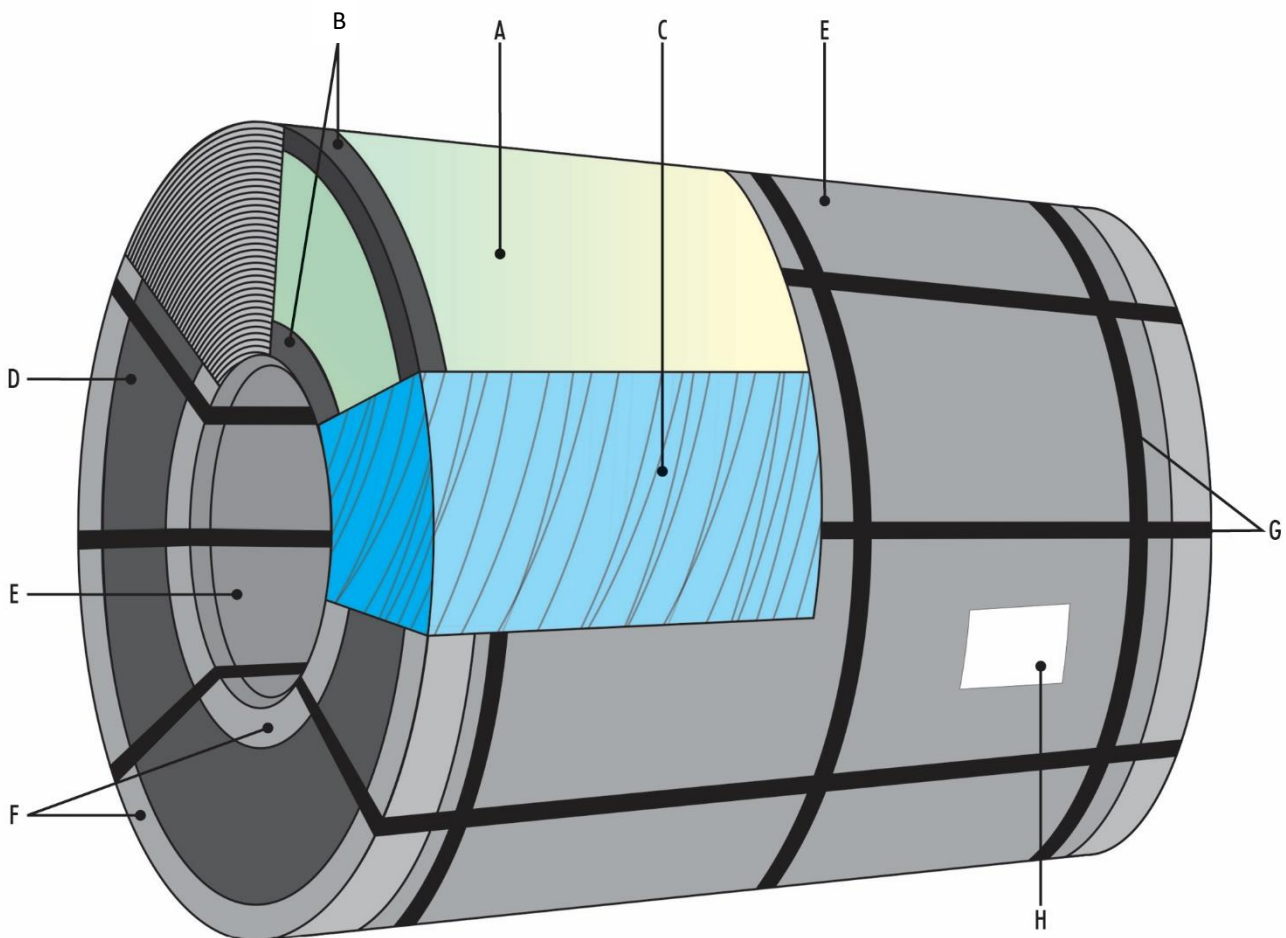
FOR MORE INFORMATION, CONTACT:

DUFERCO STEEL PROCESSING (PTY) LTD, 1 Potassium Street, Industrial Park, Saldanha 7395 • TELEPHONE: + 27 22 709 7000 • FAX: + 27 87

238 6675

Packaging specification: 07

IMPROVED ADVANCED PROTECTION SUITABLE FOR EXPORT (STEEL & PLASTIC ENVELOPE WITH INCREASED STRAPPING STRENGTH)



A. VCI Reinforced Paper

B. Edge Protection

C. Non VCI Stretch Film

D. Plastic Side Polo's

E. Galvanized ID & OD Sheet

F. Galvanized ID & OD Edge Protection

G. Plastic Strapping (25mm)

x 3 circumferential strapping

x 4 eye straps for wall height < 200mm

x 5 eye straps for wall height \geq 200mm & mass < 15t

x 6 eye strap for coil \geq 15t

H. Information Label

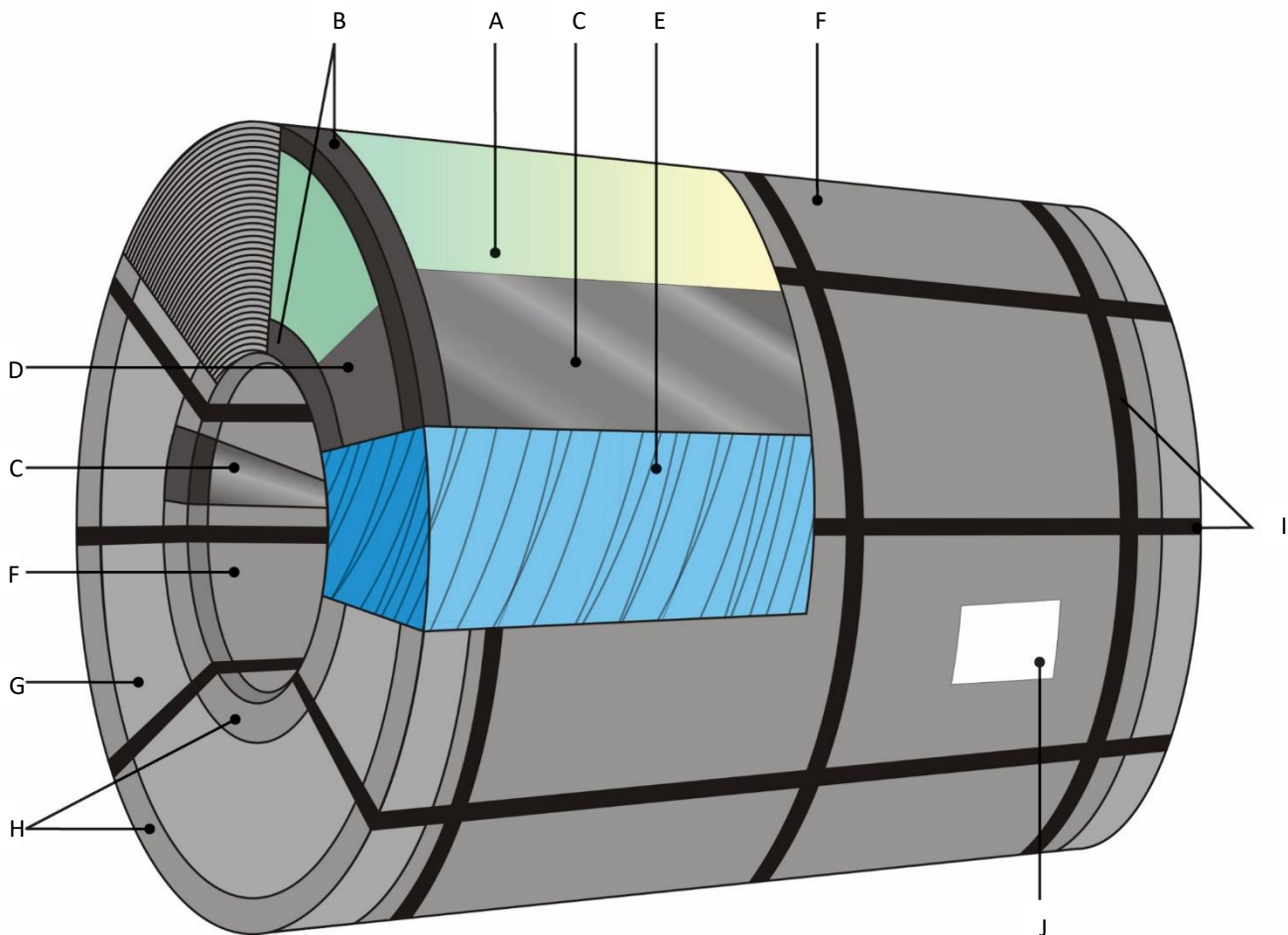
FOR MORE INFORMATION, CONTACT:

DUFERCO STEEL PROCESSING (PTY) LTD, 1 Potassium Street, Industrial Park, Saldanha 7395 • TELEPHONE: + 27 22 709 7000 • FAX: + 27 87

238 6675

Packaging specification: 08

IMPROVED ADVANCED PROTECTION SUITABLE FOR EXPORT (STEEL & PLASTIC ENVELOPE FOR GAUGES > 0.35MM SURFACE CRITICAL MATERIAL)



A. VCI Reinforced Paper

B. Edge Protection

C. Plastic ID & OD Sheet

D. Plastic Side Polo's

E. Non VCI Stretch Film

F. Galvanized ID & OD Sheet

G. Galvanized Side Protectors

H. Galvanized (X2) ID & (X1) OD edge protection

I. Plastic strapping (19mm)

x 3 circumferential strapping

x 4 eye straps for wall height < 200mm

x 5 eye straps for wall height \geq 200mm & mass < 15t

x 6 eye strap for coil \geq 15t

J. Information label

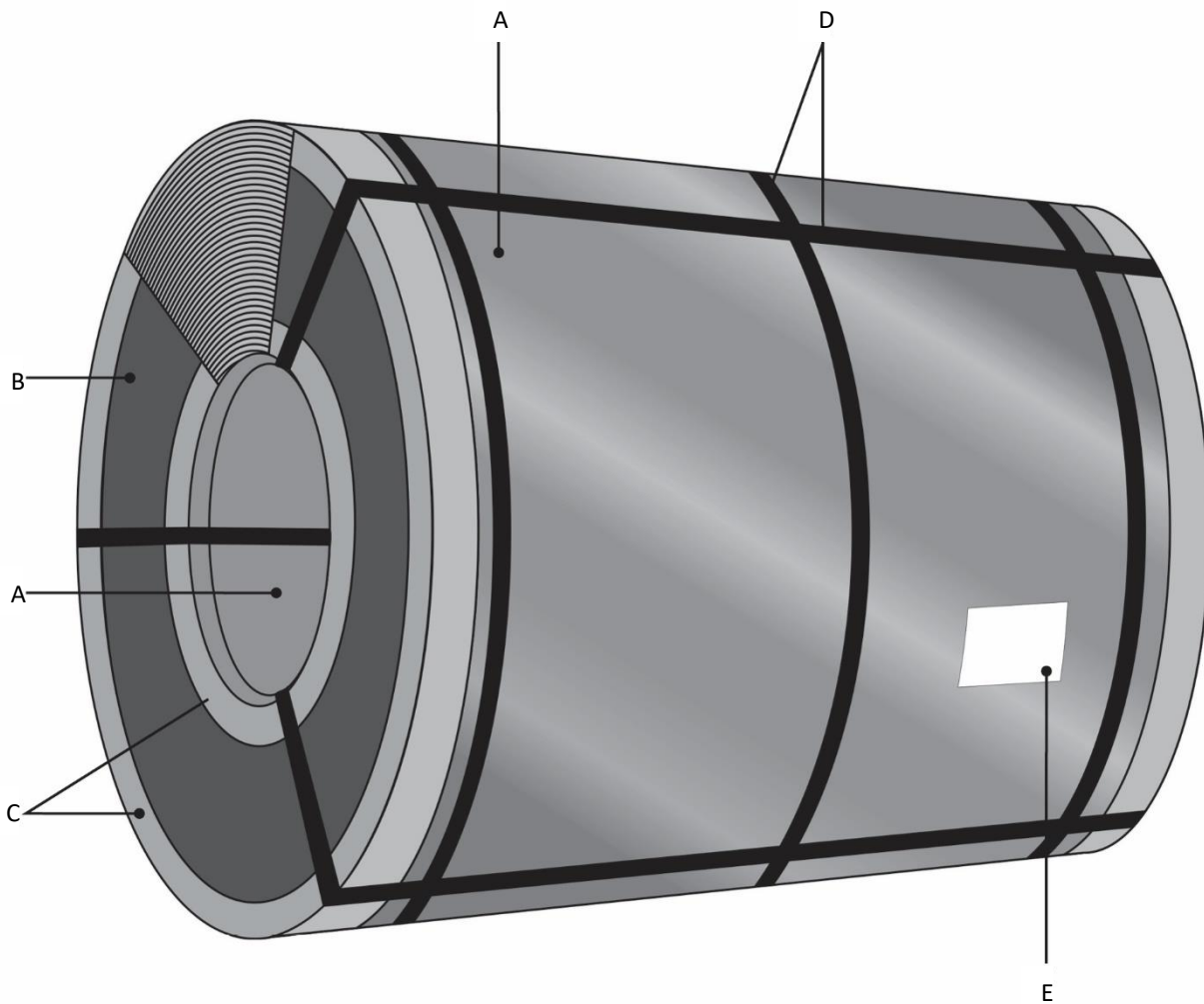
FOR MORE INFORMATION, CONTACT:

DUFERCO STEEL PROCESSING (PTY) LTD, 1 Potassium Street, Industrial Park, Saldanha 7395 • TELEPHONE: + 27 22 709 7000 • FAX: + 27 87

238 6675

Packaging specification: 10

BASIC PROTECTION RECOMMENDED FOR DOMESTIC USE (PLASTIC AND STEEL ENVELOPE)



A. Galvanised OD & ID Sheet

B. Plastic Side Polos

C. Galvanised ID & OD Edge Protection

D. Plastic Strapping (19mm)

x 3 circumferential strapping

x 4 eye straps for wall height < 200mm

x 5 eye straps for wall height \geq 200mm & mass < 15t

x 6 eye strap for coil \geq 15t

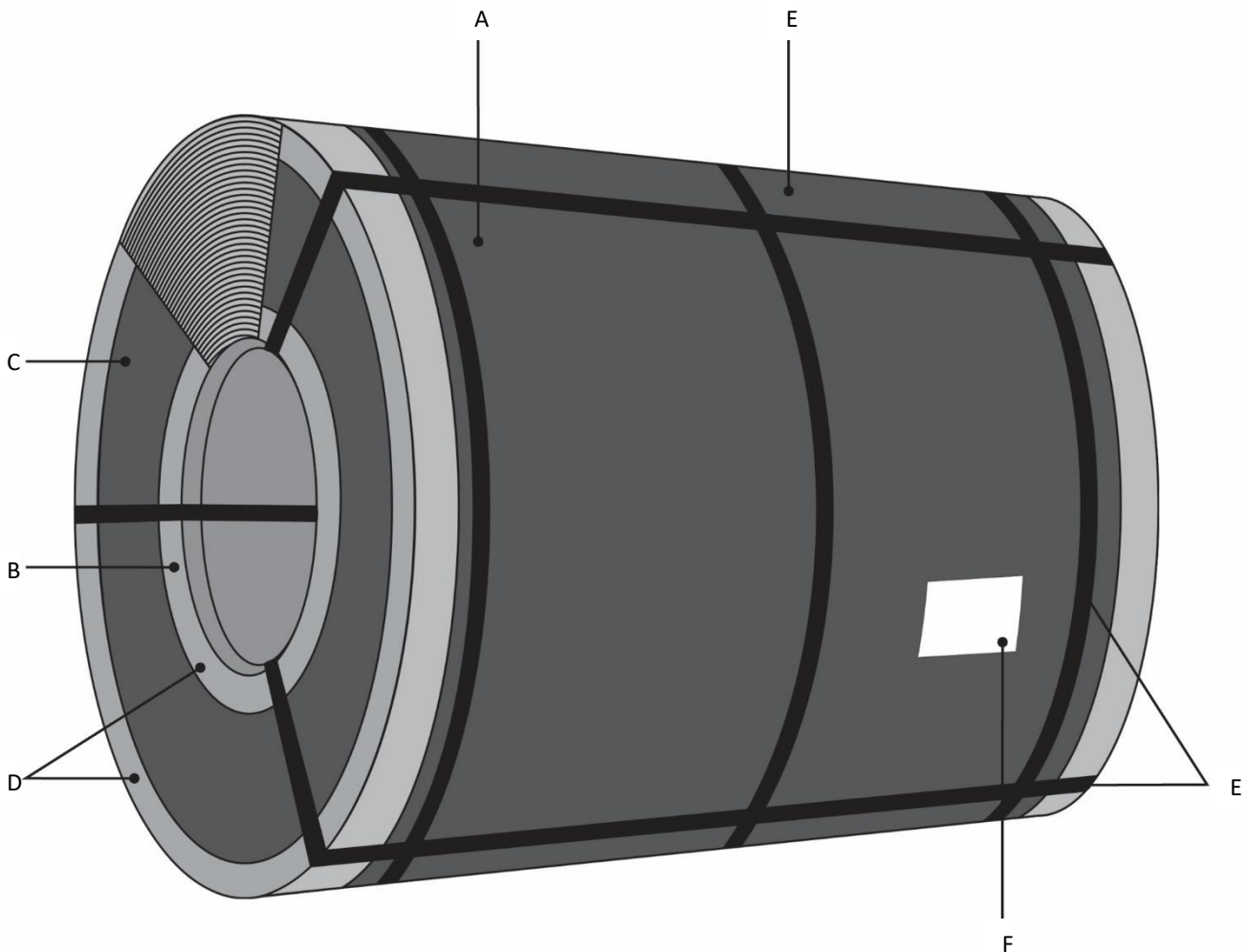
E. Information Label

FOR MORE INFORMATION, CONTACT:

DUFERCO STEEL PROCESSING (PTY) LTD, 1 Potassium Street, Industrial Park, Saldanha 7395 • TELEPHONE: + 27 22 709 7000 • FAX: + 27 87 238 6675

Packaging specification: 12

BASIC PROTECTION RECOMMENDED FOR DOMESTIC USE (PLASTIC ENVELOPE)



A. Plastic OD Sheet

B. Galvanised ID Sheet

C. Plastic Side Polo

D. Galvanised ID & OD Edge Protection

E. Plastic Strapping (19mm)

x 3 circumferential strapping

x 4 eye straps for wall height < 200mm

x 5 eye straps for wall height \geq 200mm & mass < 15t

x 6 eye strap for coil \geq 15t

F. Information Label

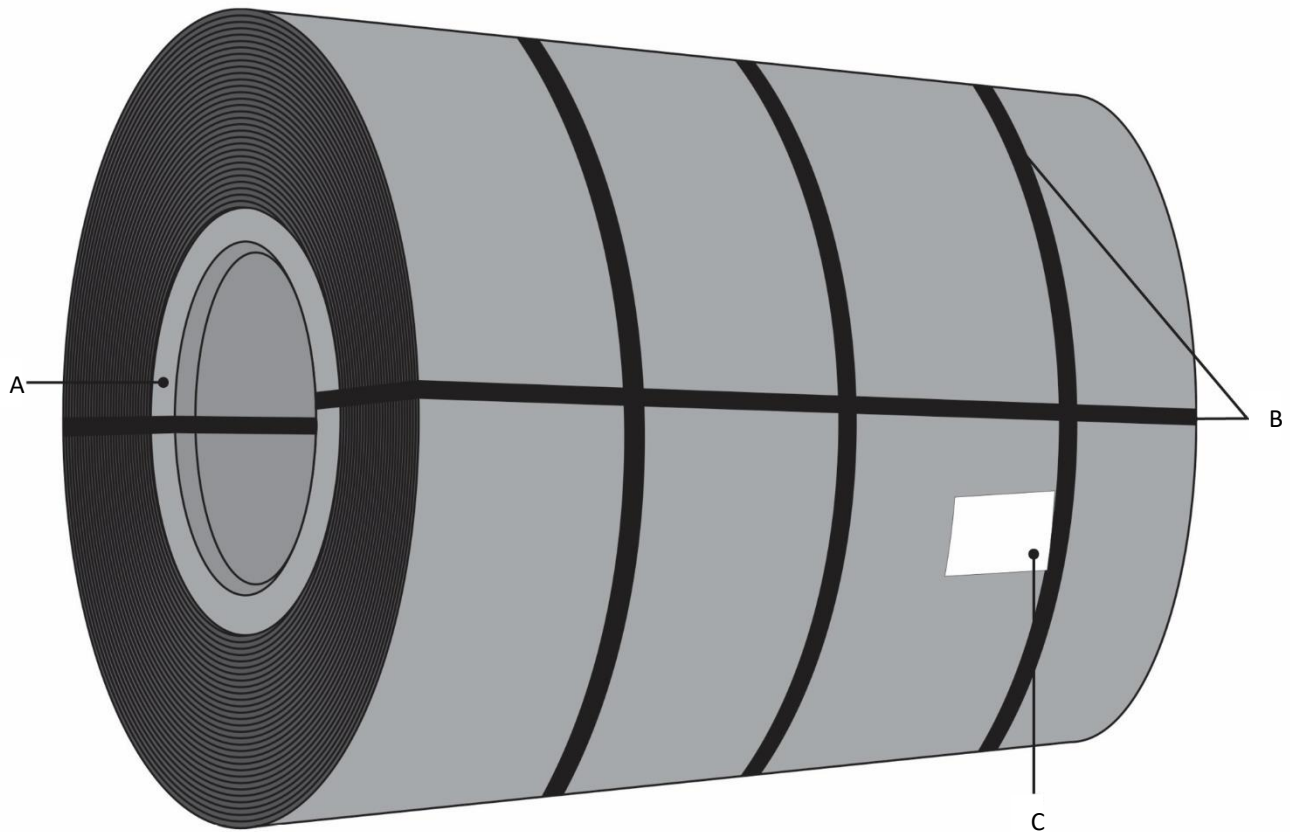
FOR MORE INFORMATION, CONTACT:

DUFERCO STEEL PROCESSING (PTY) LTD, 1 Potassium Street, Industrial Park, Saldanha 7395 • TELEPHONE: + 27 22 709 7000 • FAX: + 27 87

238 6675

Packaging specification: 14

UNPROTECTED PROTECTION RECOMMENDED FOR DOMESTIC USE ONLY (EYE PROTECTION WITH NO PACKAGING ENVELOPE)



A. Galvanized Edge Protection

B. Plastic Strap (19mm)

x 2 eye straps

x 3 Circumferential straps

C. Information Label

FOR MORE INFORMATION, CONTACT:

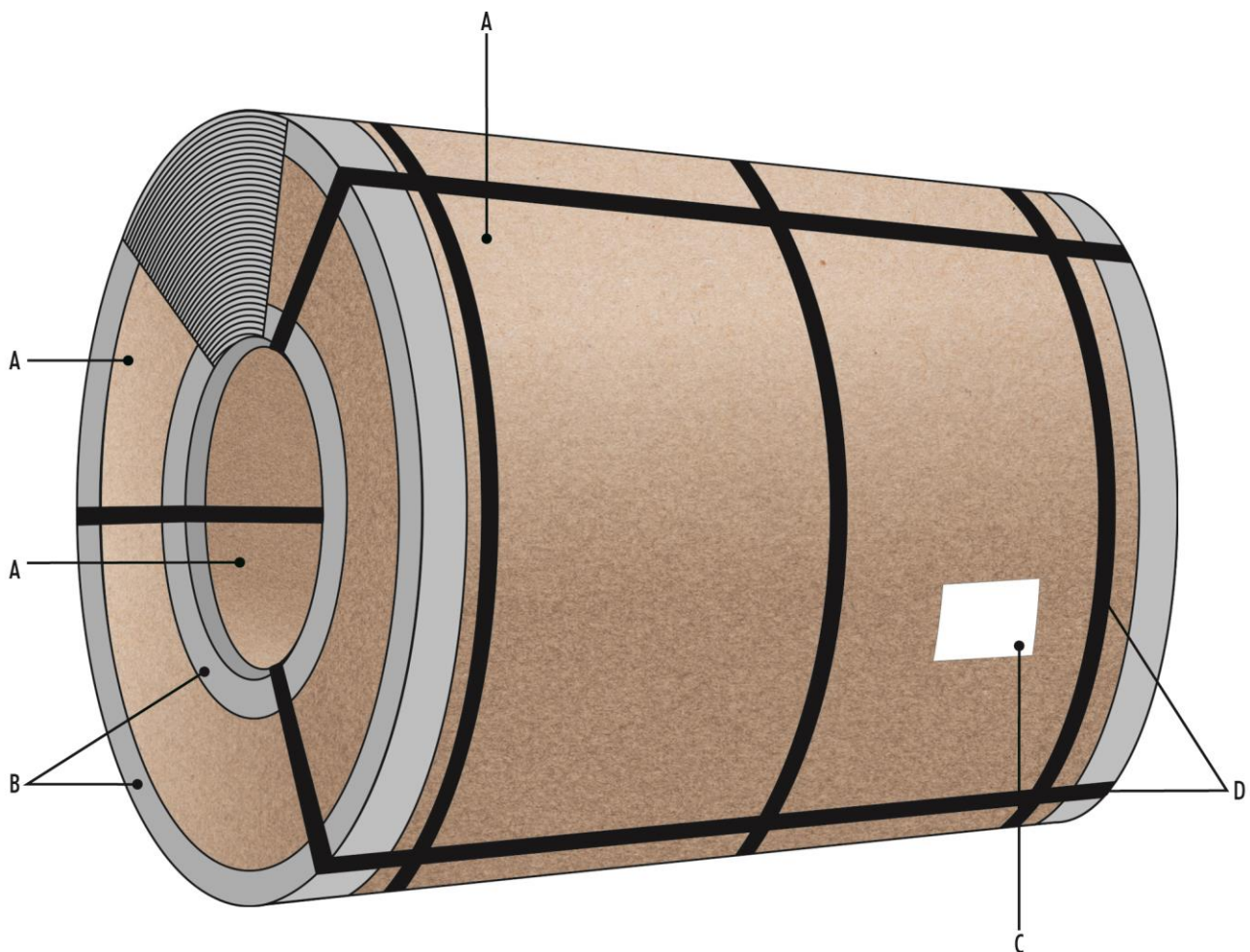
DUFERCO STEEL PROCESSING (PTY) LTD, 1 Potassium Street, Industrial Park, Saldanha 7395 • TELEPHONE: + 27 22 709 7000 • FAX: + 27 87

238 6675

Packaging specification: 16

BASIC PROTECTION RECOMMENDED FOR DOMESTIC USE ONLY

(ALL VCI RE-INFORCED PAPER ENVELOPE WITH EYE & EDGE PROTECTION)



A. VCI Re-inforced paper folded over the coil and in the eye

B. Galvanised ID & OD Edge Protection

C. Information Label

D. Plastic Strapping

(19mm) x3 circumferential strapping

x4 eye straps for wall height < 200mm

x5 eye straps for wall height > = 200mm & mass <15t

x6 eye strap for coil > = 15t

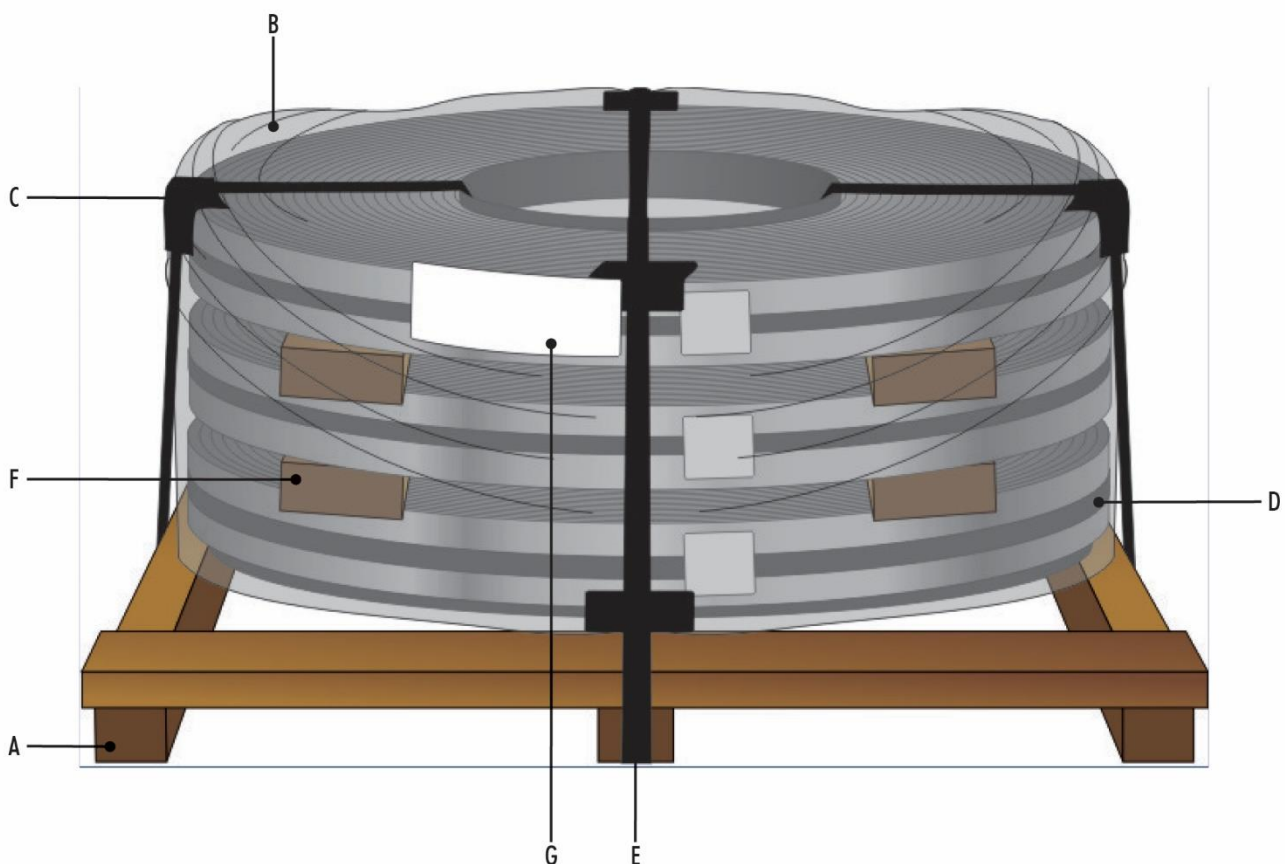
FOR MORE INFORMATION, CONTACT:

DUFERCO STEEL PROCESSING (PTY) LTD, 1 Potassium Street, Industrial Park, Saldanha 7395 • TELEPHONE: + 27 22 709 7000 • FAX: + 27 87

238 6675

Packaging specification: 22

BASIC PROTECTION FOR SLITS RECOMMENDED FOR DOMESTIC USE (PLASTIC SHEET ON PALLET EYE HORIZONTAL)



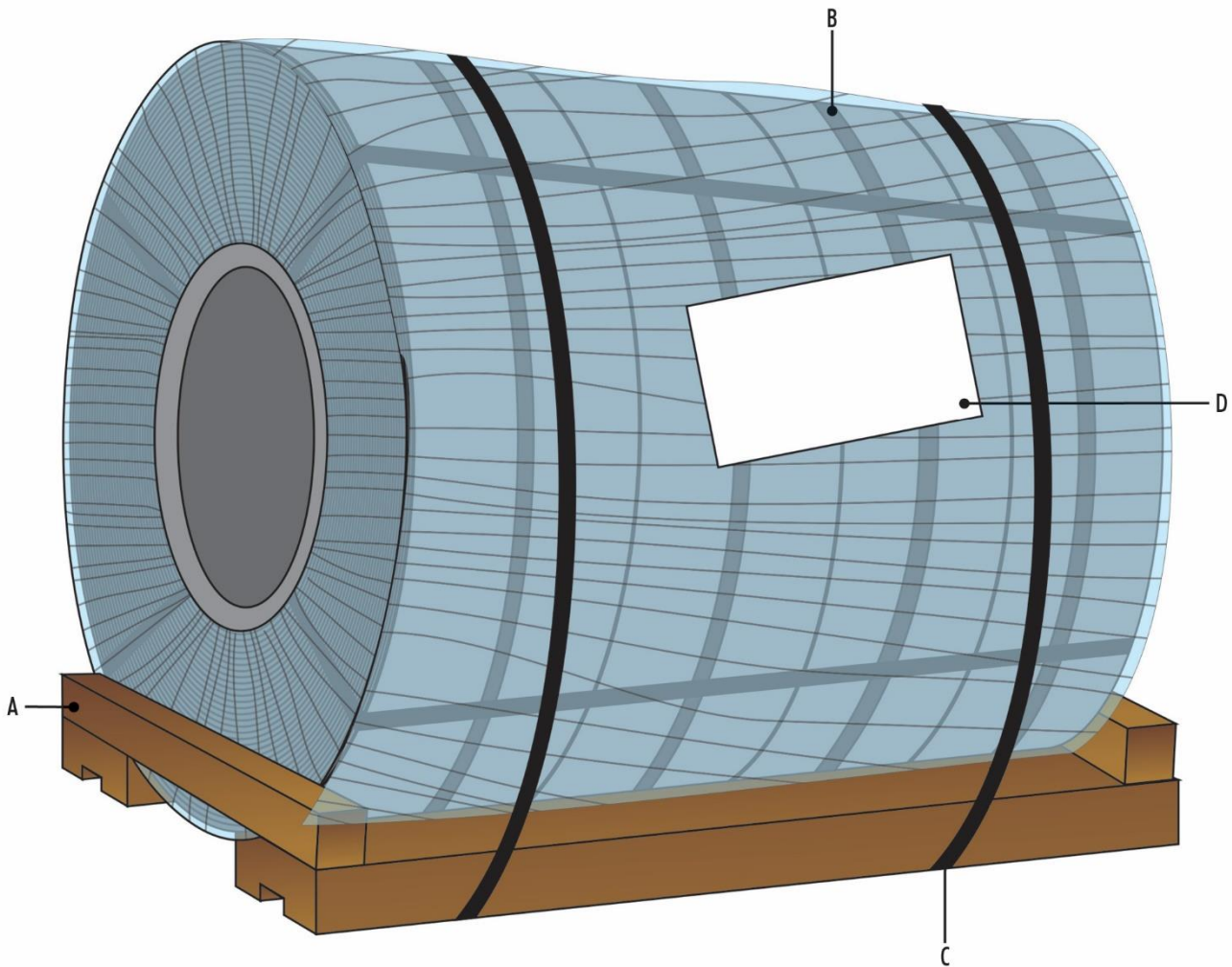
- A. Pallet
- B. Plastic Sheet
- C. Edge Protection
- D. Slit Circumferential Strap (19mm)
- E. Steel Strapping (32mm)
- F. Wooden Separator
- G. Bundle Information Label (slits are labelled individually)

FOR MORE INFORMATION, CONTACT:

DUFERCO STEEL PROCESSING (PTY) LTD, 1 Potassium Street, Industrial Park, Saldanha 7395 • TELEPHONE: + 27 22 709 7000 • FAX: + 27 87 238 6675

Packaging specification: 23

BASIC PROTECTION FOR SLITS RECOMMENDED FOR DOMESTIC USE (EYE HORIZONTAL ON A PALLET)



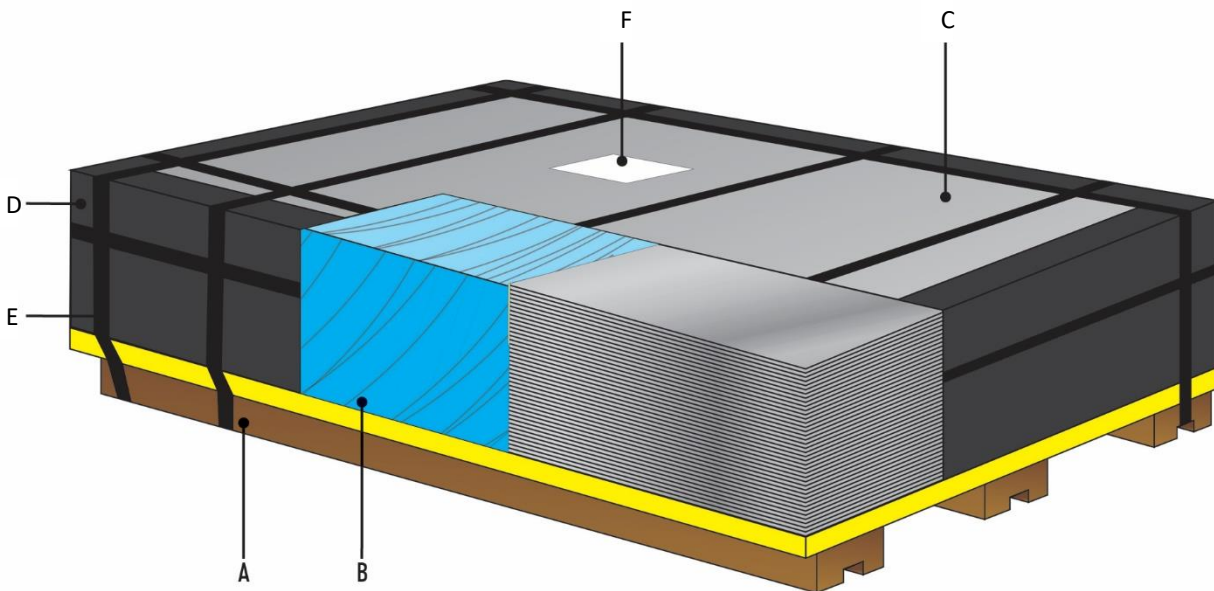
- A. Pallet
- B. Plastic Sheet
- C. Steel Strapping 32mm
- D. Bundle Information Label (slits are labelled individually)

FOR MORE INFORMATION, CONTACT:

DUFERCO STEEL PROCESSING (PTY) LTD, 1 Potassium Street, Industrial Park, Saldanha 7395 • TELEPHONE: + 27 22 709 7000 • FAX: + 27 87 238 6675

Packaging specification: 25

BASIC PROTECTION FOR SHEETS RECOMMENDED FOR DOMESTIC USE (PLASTIC & STEEL ENVELOPE)



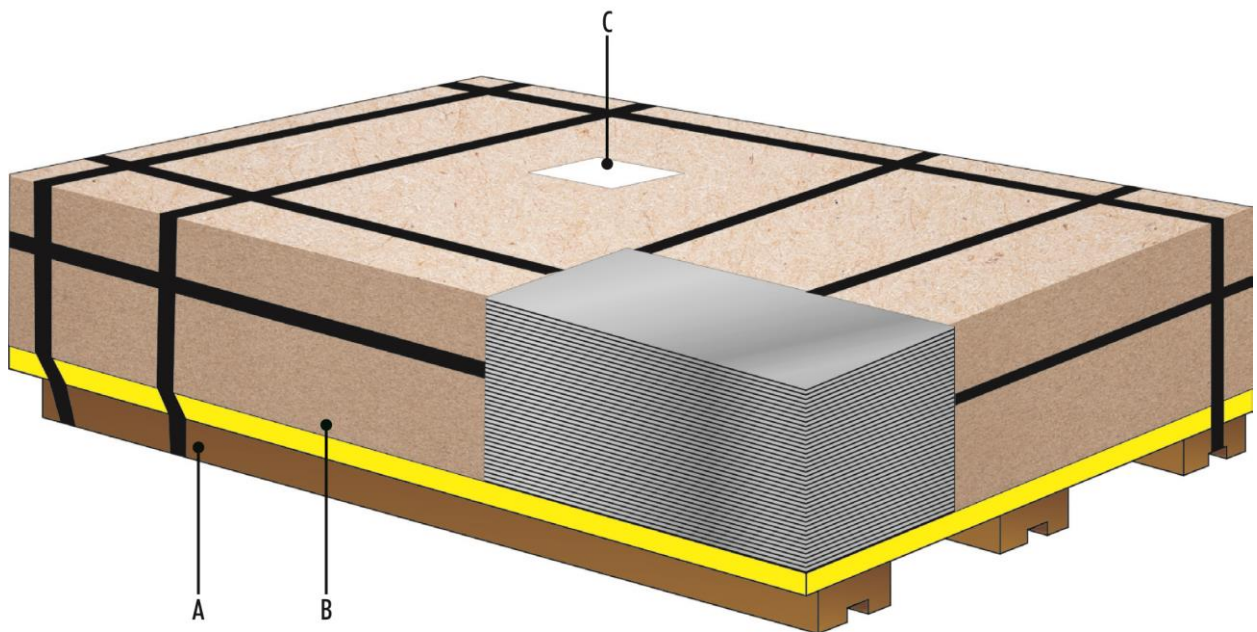
- A. Pallet
- B. VCI Plastic Sheet (bottom and top)
- C. Steel Cover Sheet
- D. Plastic Edge Protection
- E. Steel Strapping (32mm)
 - x 2 length strapping
 - x 4 width strapping
- F. Information Label

FOR MORE INFORMATION, CONTACT:

DUFERCO STEEL PROCESSING (PTY) LTD, 1 Potassium Street, Industrial Park, Saldanha 7395 • TELEPHONE: + 27 22 709 7000 • FAX: + 27 87 238 6675

Packaging specification: 26

BASIC PROTECTION FOR SHEETS RECOMMENDED FOR DOMESTIC USE (VCI RE-INFORCED PAPER ENVELOPE)



- A. Pallet
- B. VCI Re-inforced paper (bottom and top)
- C. Information label

FOR MORE INFORMATION, CONTACT:

DUFERCO STEEL PROCESSING (PTY) LTD, 1 Potassium Street, Industrial Park, Saldanha 7395 • TELEPHONE: + 27 22 709 7000 • FAX: + 27 87 238 6675

Depending the packing code ordered on DSP, claims for storage corrosion will be considered provided the claims are registered with DSP within below number of days from delivery

PACKING CODE	PRODUCT	PASSIVATED	PROTECTIVE OIL	GUARANTEE (DAYS)
Code 16/22/23/25	HDG	No	No	0
	HDG	No/Yes	Yes	60
	HDG	Yes	No	30
	CFIN	N/A	No	0
	CFIN	N/A	Yes	60
Code 10/12/14	HDG	No/Yes	No/Yes	0
	CFIN	No/Yes	No/Yes	0
Code 01/02/06/07/08	HDG	No	No	0
	HDG	No/Yes	Yes	120
	HDG	Yes	No	60
	CFIN	N/A	No	0
	CFIN	N/A	Yes	90

ADDITIONAL NOTES

Code 16

No sidewall rust claims accepted on CFIN. Paper can tear during normal handling operations increasing the likely hood of corrosion. Packaging is not air tight and requires that coils be appropriately protected against rain and wetness during loading, transit and offloading. Increased risk for mechanical transport damages such as fret marks on outer wraps.